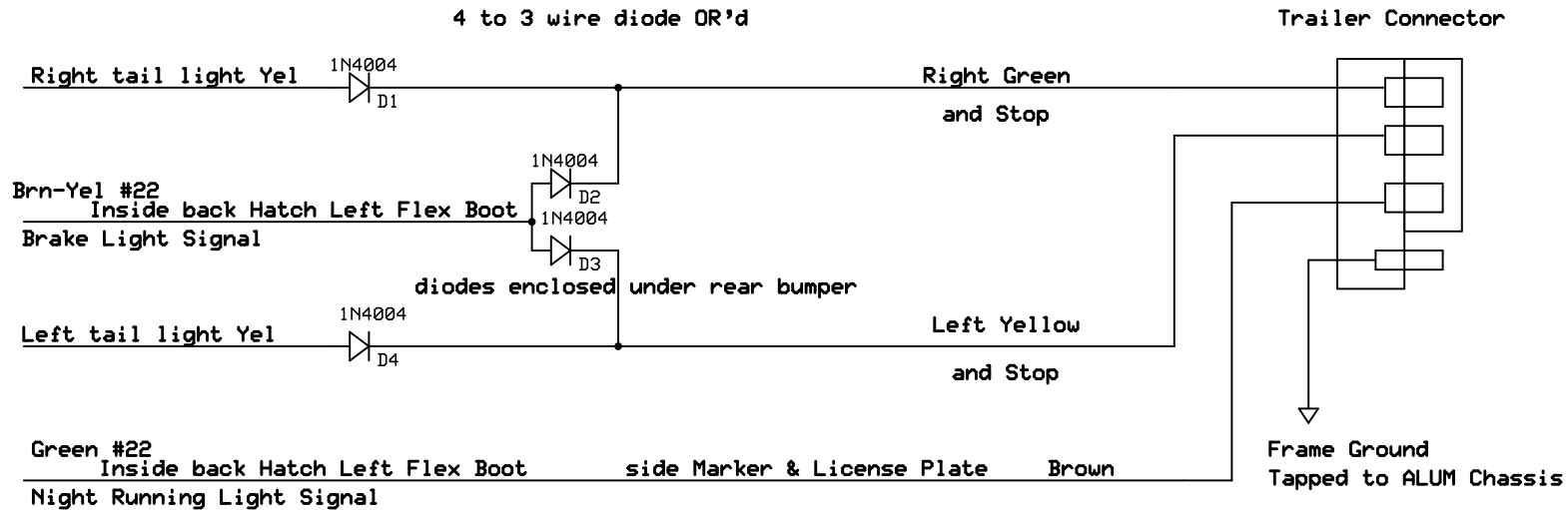


MUST replace 1157 incandescent bulbs and markers with LED lights for Low Current
 Otherwise vehicle computer with small wiring will throw an error and NO lights

Chevy Bolt EV Wiring

Utility Trailer 5x8 Wiring
 ALL LED LIGHTS



Two #22 wires soldered/heat shrink to sheathed dual conductor routed through left vehicle frame channel

REEVA		
Trailer_Lights_Bolt_EV		
Mark E Hanson	Rev 1.0	Page 1
	11/14/2020	