

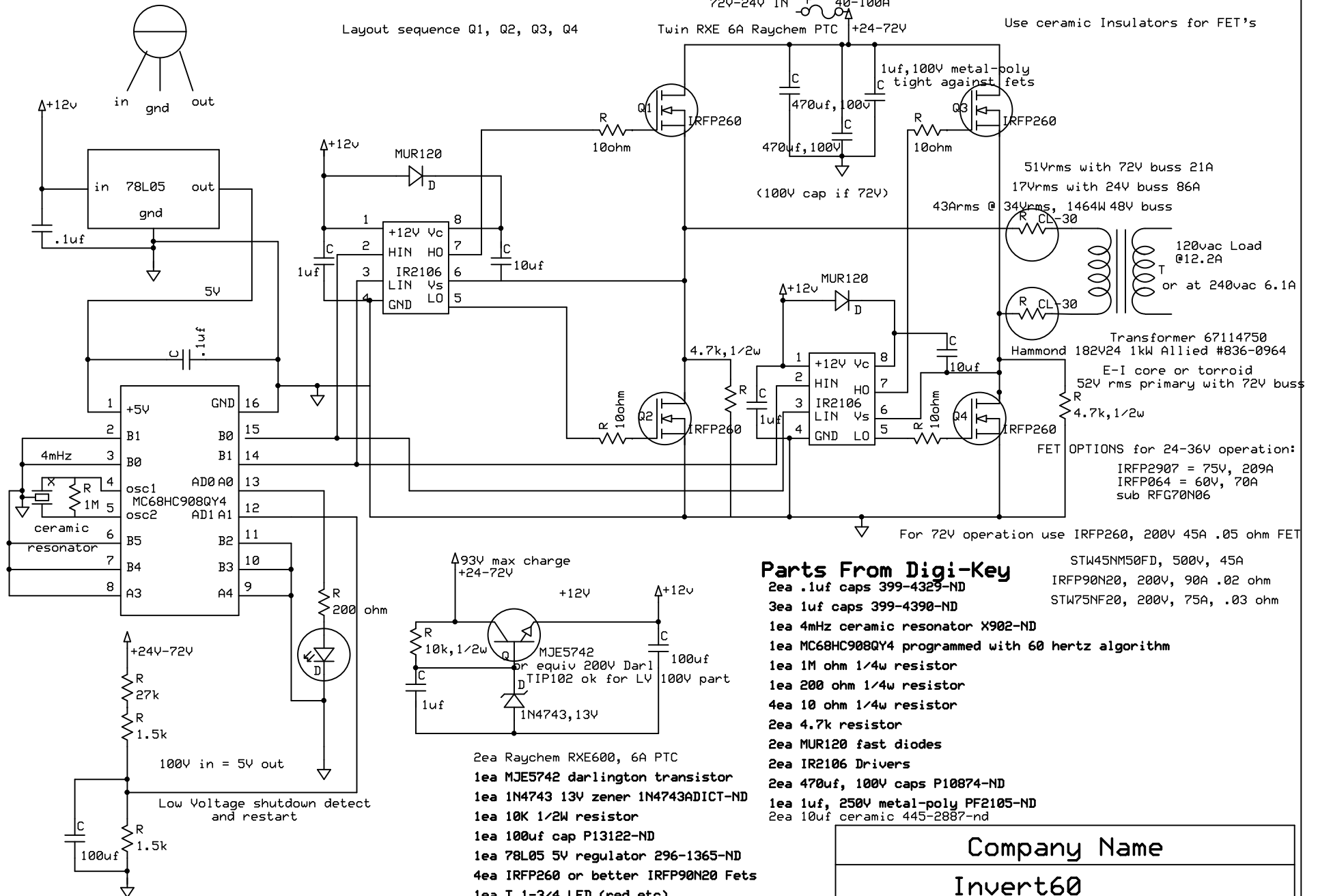
Don't Forget the Fuse or resettable Circuit breaker!

72V-24V IN F 40-100A

Use ceramic Insulators for FET's

Layout sequence Q1, Q2, Q3, Q4

Twin RXE 6A Raychem PTC +24-72V



51Vrms with 72V buss 21A
 17Vrms with 24V buss 86A
 34Vrms, 1464W 48V buss
 43Arms @ 30V
 120vac Load @12.2A
 or at 240vac 6.1A
 Transformer 67114750
 Hammond 182V24 1kW Allied #836-0964
 E-I core or torroid
 52V rms primary with 72V buss
 4.7k, 1/2w

FET OPTIONS for 24-36V operation:
 IRFP2907 = 75V, 209A
 IRFP064 = 60V, 70A
 sub RFG70N06

For 72V operation use IRFP260, 200V 45A .05 ohm FET

Parts From Digi-Key

- 2ea .1uf caps 399-4329-ND
- 3ea 1uf caps 399-4390-ND
- 1ea 4mHz ceramic resonator X902-ND
- 1ea MC68HC908QY4 programmed with 60 hertz algorithm
- 1ea 1M ohm 1/4w resistor
- 1ea 200 ohm 1/4w resistor
- 4ea 10 ohm 1/4w resistor
- 2ea 4.7k resistor
- 2ea MUR120 fast diodes
- 2ea IR2106 Drivers
- 2ea 470uf, 100V caps P10874-ND
- 1ea 1uf, 250V metal-poly PF2105-ND
- 2ea 10uf ceramic 445-2887-nd
- STW45NM50FD, 500V, 45A
- IRFP90N20, 200V, 90A .02 ohm
- STW75NF20, 200V, 75A, .03 ohm

- 2ea Raychem RXE600, 6A PTC
- 1ea MJE5742 darlington transistor
- 1ea 1N4743 13V zener 1N4743ADICT-ND
- 1ea 10K 1/2W resistor
- 1ea 100uf cap P13122-ND
- 1ea 78L05 5V regulator 296-1365-ND
- 4ea IRFP260 or better IRFP90N20 Fets
- 1ea T 1-3/4 LED (red etc)

Company Name		
Invert60		
Mark E. Hanson	Rev 1.0 4/25/2008	Page # or name

Order Board from www.expresspcb.com (and download schematic drawing package free