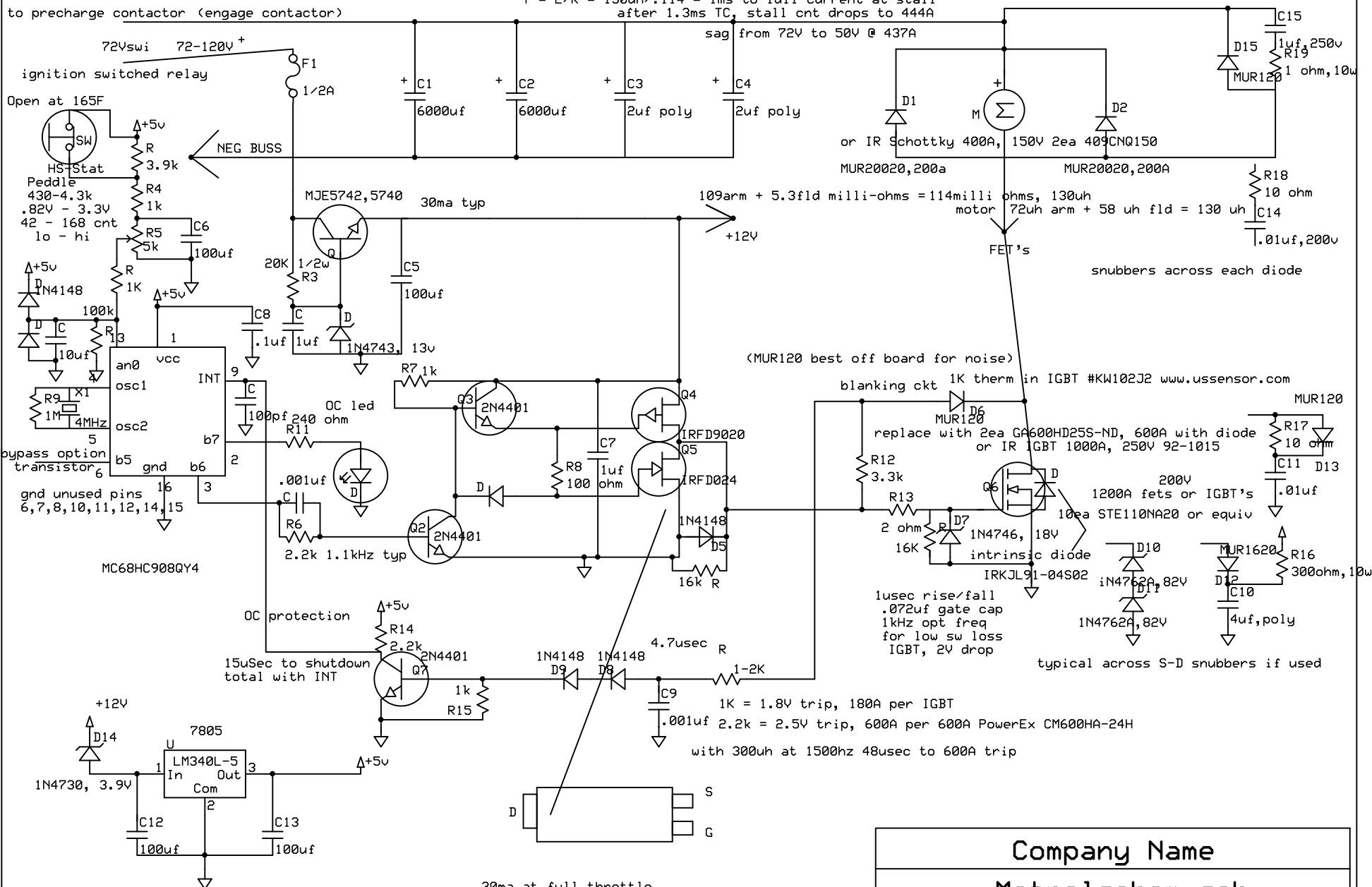


4 milli-ohms x 12 batts = 48 milli-ohms tot 10' of #4 = 2.5 milli-ohms
 300 ohm - 1k across contacts

Ripple Cnt = V_T/L or $(72V \times .5ms) / 130\mu h = 332A$
 Stall Cnt = $72V / .114ohms = 631A$
 $T = L/R = 130\mu h / .114 = 1ms$ to full current at stall
 after 1.3ms TC, stall cnt drops to 444A

27 ea 30A 200V fast diodes
 across mur 20020's (1210A tot)

to precharge contactor (engage contactor)



30ma at full throttle
 22ma at 50%
 12ma at 0%

Company Name		
Motrolschem.sch		
Mark E. Hanson	Rev 1.0 3/7/2006	Page # or name